



Freedom Accessible Double Entry Shower Pan 61" x 61"

Model APF6060BFPANDE

61" x 61" x 4 1/2"

One Piece Double Entry
Shower Pan

1 1/4" barrier free threshold
with pre-leveled and
reinforced shower base
for easy installation

Textured Floor

Durable, luxurious and
easy to clean gelcoat

Accessories available:
Grab bars, padded folding
shower seat, collapsible
water retainer, weighted
shower curtain and rod,
slide bar with handheld
shower, pressure balance
valve, caulkless drain



FREE OM SHOWERS

MODEL: APF6060BFPANDE

Freedom Accessible Double Entry Shower Pan

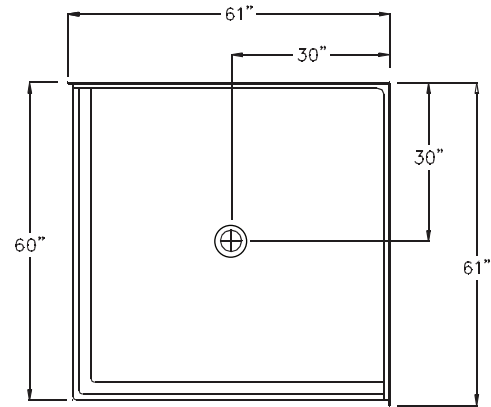
Submittal Data

Product Features

- 61" x 61" x 4 1/2"
- One piece Double Entry Shower Pan
- 1 1/4" barrier free threshold
- Self-supporting and pre-leveled shower base eliminates mud setting
- Easy to clean gelcoat finish
- Textured slip-resistant floor
- Center drain location

Code Compliance

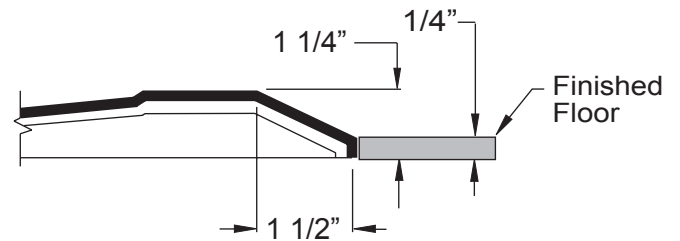
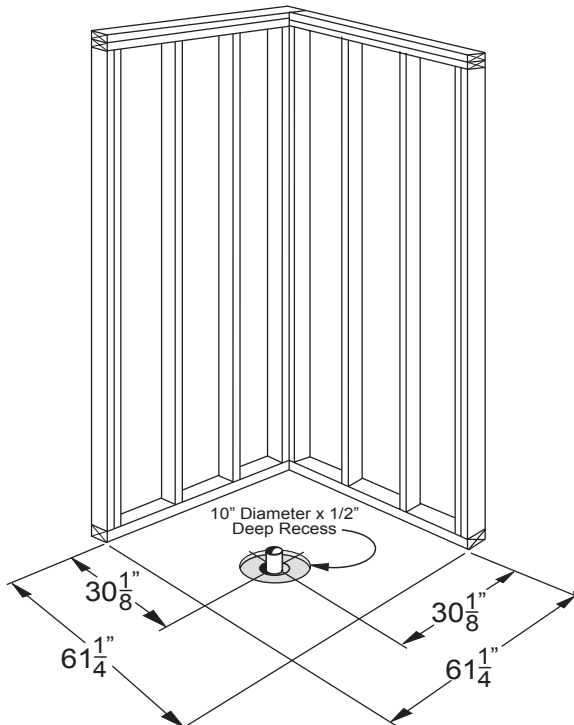
- IPC International Plumbing Code
- UPC Uniform Plumbing Code
- ANSI Z124.2 Standards for Plastic Showers



TOP VIEW



FRONT ELEVATION



THRESHOLD VIEW