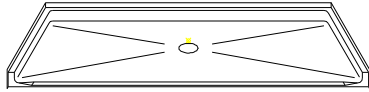
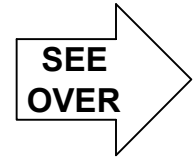
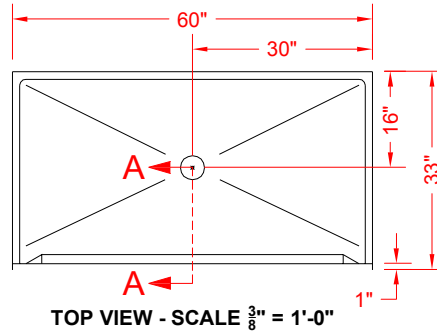


# MODEL: APIP6032B75B

ALL ACCESSORIES OPTIONAL

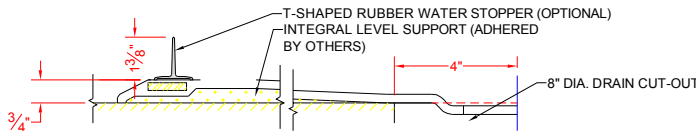


**PERSPECTIVE VIEW - N.T.S.  
MODEL SHOWN HERE AS:**



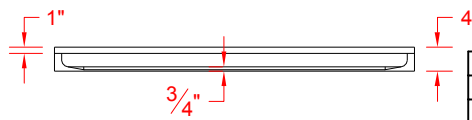
## Features:

- Molded, one piece gelcoat/fiberglass shower pan
- Accessible fiberglass shower pan
- Beveled curb makes for easy access
- Available in various Threshold heights
- On all threshold, heights 1-1/2" or taller, no mud set is required
- On all Threshold, heights 1-1/4" or shorter, no mud set is required, but an epoxy adhesive kit is supplied



**SECTION A-A - SCALE: 3" = 1'-0"**

## \*OTHER THRESHOLD HEIGHTS AVAILABLE UPON REQUEST



**FRONT ELEVATION - SCALE:  $\frac{3}{8}'' = 1'-0''$**

MODEL #	UNIT HEIGHT	THRESHOLD HEIGHT
P6032B75B	4"	3/4" MIN

\* - SEE BACK FOR DETAIL SECTIONS

## PRODUCT SPECIFICATIONS:

- One piece shower pan shall be constructed of gelcoat/fiberglass
- Rough-In: Stud opening +1/4" -0" Nominal Dimensions.

C.S.I. FORMAT SPECIFICATION TEXT AVAILABLE

## PRODUCT INFORMATION:

- Colors: White as standard, others to match any major fixture manufacturer, also available with sprayable solid surface in many colors

## ACCESSORIES:

- INSTALLED BY OTHERS:
- Collapsible Rubber Water Retainer
  - Semi-permanent Threshold Adapter
  - Caulkless drain

## CODES:

- Designed and manufactured in compliance with the following standards and codes:
- A.N.S.I. Z124.2 Standards for Plastic Showers
  - I.P.C. International Plumbing Code
  - U.P.C. Uniform Plumbing Code



## NOTICE OF LIMITATION:

1-877-947-7769  
www.Accessible-Bathrooms.com

*We reserve the right to make revisions without notice in the design of fixtures or in packaging unless this right has specifically been waived at the time the order is accepted.*